



REMOTELY HEATED MINIDAIRIES MR-100 MR-200 MR-300 MR-400 MR-500 MR-650 MR-800 MR-1000

With these mini-dairies is possible to pasteurize milk and produce cheeses and yoghurt. Suitable for heating up to 100 °C.

Description:

The basin is constituted by a triple wall in inox steel. In the outside interspace is the thermal isolation, while in the internal interspace (honeycomb type) is filled with water used for the processes of heating and cooling. Heating and cooling takes place supplying the endowed heat exchanger with hot water or running water (or an ice bank to achieve lower temperatures). The heat exchanger is connected in a closed loop with a pump to the internal interspace.

Features:

- Computer with 4 programs.
- Fixed speed electric agitator (22 rpm).
- Discharge flapper valve
- Tilting device for easy full discharge.
- Stainless steel lid with hinge and spring
- heat exchanger
- circulation pump + safety devices



Options:

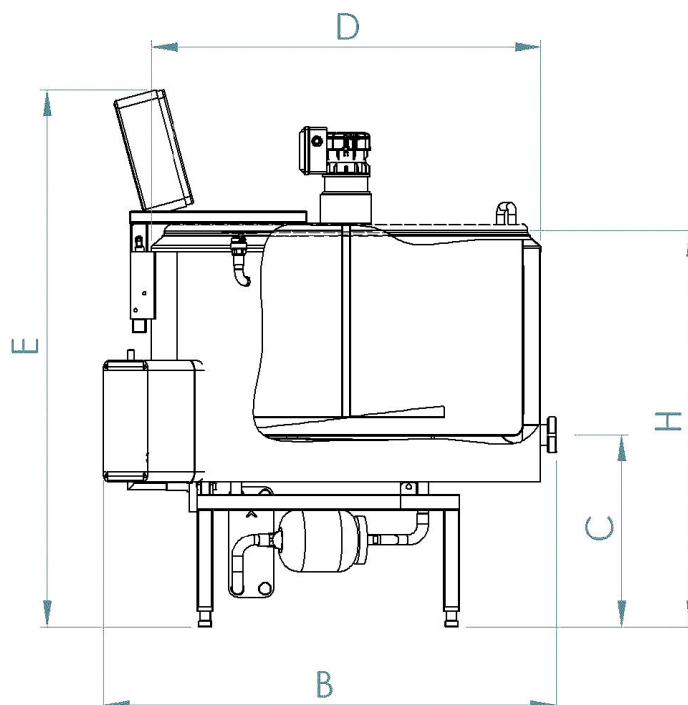
- MR-xxx/1: CHEESE KIT (Planetarium + Triple Harp)
- MR-xxx/2: TEMPERATURE CHART RECORDER (circular type on 24 hours disk, inserted in the command board).
- MR-xxx/3: VARIABLE SPEED AGITATOR from 2 to 44 rpm through electronic inverter.
- MR-xxx/4: SUPPORT FRAME that rise the height of the discharge at 65cm from floor.
- MR-xxx/5: PLATFORM + STAIRS to access the Minidairy from top (discharge at 1 mt allowing to directly discharge on tables).
- MR-xxx/7: "Z" STIRRER allows the mixing of the milk on machines endorsed with option /1, even with covers closed.
- MR-xxx/8: 115V or 230V SINGLE PHASE POWER SUPPLY (50Hz or 60Hz)
- MR-xxx/9: 230V THREE PHASE POWER SUPPLY (50Hz or 60Hz)
- MR-xxx/10: LARGER STIRRER (75% of vat diam.)
- MR-xxx/11: WHEELS (n.4 s.s. pivoting wheels)
- MR-xxx/65: DN65 OUTFLOW AND DISCHARGE VALVE (instead of standard DN50)
- MR-xxx/80: DN80 OUTFLOW AND DISCHARGE VALVE (instead of standard DN50 or DN65)



Technical data:

Power supply: 230V single phase

Model	Max capacity. Lt	Min capacity. Lt	Suggested Thermal Power kcal/h (KW)
MR-100	100	20	18.000 (21)
MR-200	200	40	29.000 (35)
MR-300	300	60	29.000 (35)
MR-400	400	80	40.000 (46)
MR-500	500	100	50.000 (58)
MR-650	650	130	50.000 (58)
MR-800	800	160	82.000 (95)
MR-1000	1000	200	82.000 (95)



Dimension e Weights:

Model	est. Ø D mm	C* mm	B mm	H* mm	E* mm	Weight kg	Outlet DN
MR-100	720	575	860	930	1350	125	50
MR-200	820	475	980	1010	1380	170	50
MR-300	1000	475	1150	1010	1450	230	50
MR-400	1120	330	1270	930	1400	285	65
MR-500	1120	330	1270	1030	1450	310	65
MR-650	1280	330	1430	1010	1500	360	65
MR-800	1400	330	1550	1010	1550	395	65
MR-1000	1540	330	1750	1030	1600	465	80

* on standard stable

The Company reserves the right to modify the technical data and characteristics at any time without notice