



## MILK COOLING TANK MCT-xxx (50 – 2000 l )

MCT Stationary milk cooling tanks are modern cooling devices for the production of quality milk.

They are indispensable for the production of quality and bacteriological irreproachable milk.

Design and cooling ability of our cooling tanks meet all international standards including **ISO 5708**.

### TANK

- Is entirely made of **stainless steel AISI 304**
  - Vat is equipped with ecological irreproachable polyurethane foam.
  - Cover with spring for easy opening.
  - Height adaptable leveling legs.
  - DN50 butterfly valve outlet.
- Mixer with 30 rpm.



### ELECTRIC PLANT:

The multifunction controller manages the following functions:

- User friendly interface
- Accurate control
- Automatic and Manual start of agitation
- All the parameters are fully configurable
- Current temperature always displayed on the screen
- Indication led for cooling and agitation operation
- Electrical supply: single-phase 230V, 50Hz or three-phase 400 V +N 50 Hz.

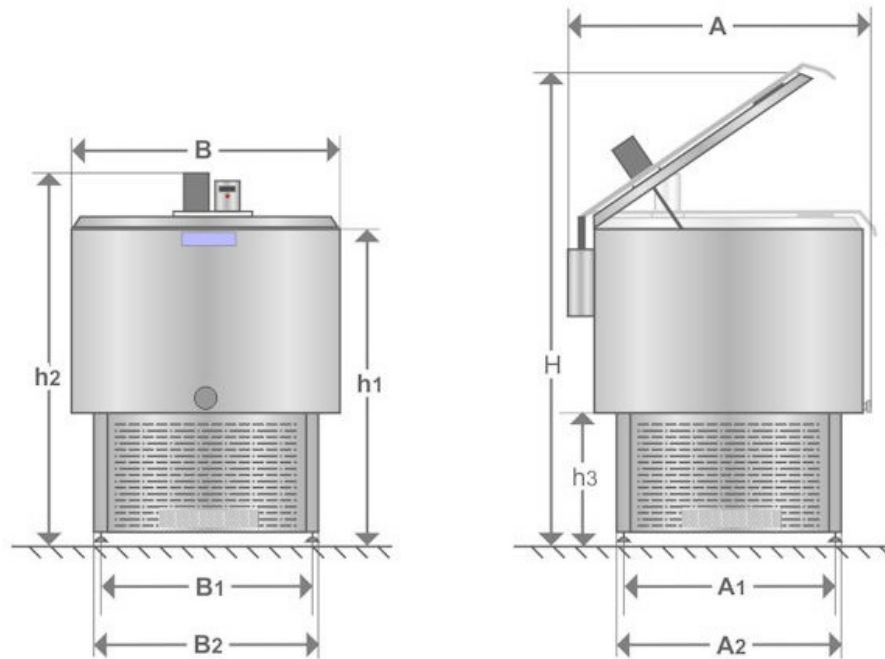


Stationary milk cooling tanks are made from **environment friendly materials**, working with **ecological coolants**, are **efficient** and **energy saving**.

Type: 2 milkings  
Gas: R404A

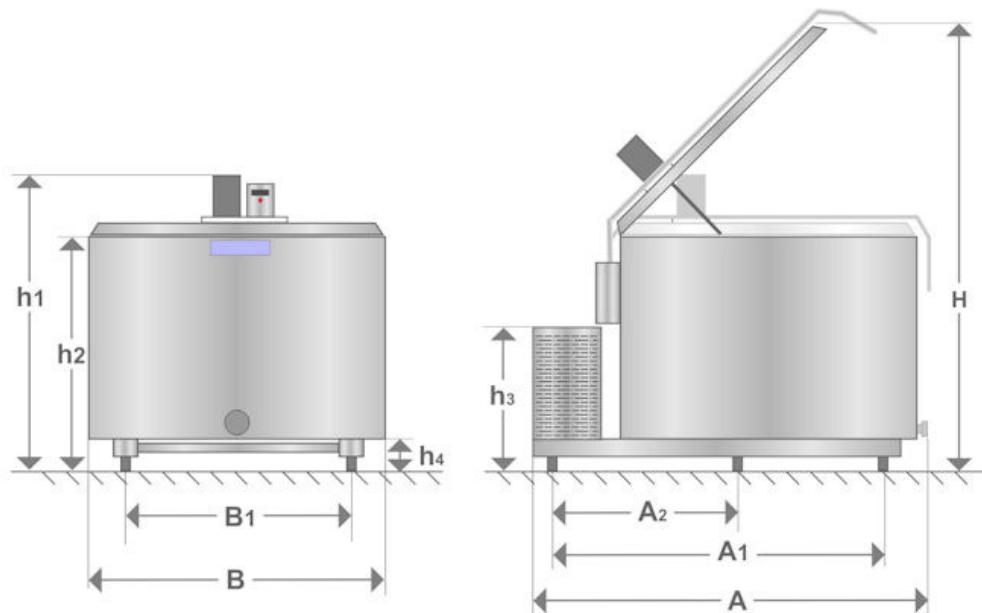
TYPE	Max Capacity (L)	Weight (KG)	Power supply	Max Power Rate (W)
MCT-050	51	52	230V/1/50Hz	580
MCT-100	125	72	230V/1/50Hz	700
MCT-200	245	110	230V/1/50Hz	1300
MCT-300	336	128	230V/1/50Hz	1600
MCT-400	426	170	400V/3/50Hz	2125
MCT-500	532	176	400V/3/50Hz	2125
MCT-650	659	202	400V/3/50Hz	2400
MCT-800	849	254	400V/3/50Hz	3070
MCT-1000	1081	285	400V/3/50Hz	3570
MCT-1250	1285	300	400V/3/50Hz	4025
MCT-1500	1519	320	400V/3/50Hz	4350
MCT-2000	2029	450	400V/3/50Hz	5210

**Dimension 50 L to 300 L:**



Type	A	A1	A2	B	B1	B2	H	h1	h2	h3
MCT-050	560	280	365	520	280	365	1350	1050	820	440
MCT-100	780	330	400	680	410	500	1660	1190	980	420
MCT-200	1030	530	610	890	530	610	1520	1220	990	420
MCT-300	1130	530	620	990	530	610	1700	1250	1030	420

**Dimension 400 L to 2000 L:**



Model	A	A1	A2	B	B1	H	h1	h2	h3	h4	H
MCT-400	1670	950	-	1090	670	1445	1050	830	685	180	1555
MCT-500	1620	950	-	1090	670	1620	1190	965	685	180	1705
MCT-650	1600	950	-	1090	670	1765	1345	1120	685	180	1830
MCT-800	2140	1630	-	1290	925	1740	1265	1040	685	192	1985
MCT-1000	2350	1320	450	1495	910	1975	1250	1010	840	192	1975
MCT-1250	2320	1320	450	1495	940	2090	1495	1150	840	192	2050
MCT-1500	2320	1560	590	1495	1140	2200	1645	1300	818	192	2250
MCT-2000	2320	1490	680	1840	1130	2200	1510	1200	880	192	2260